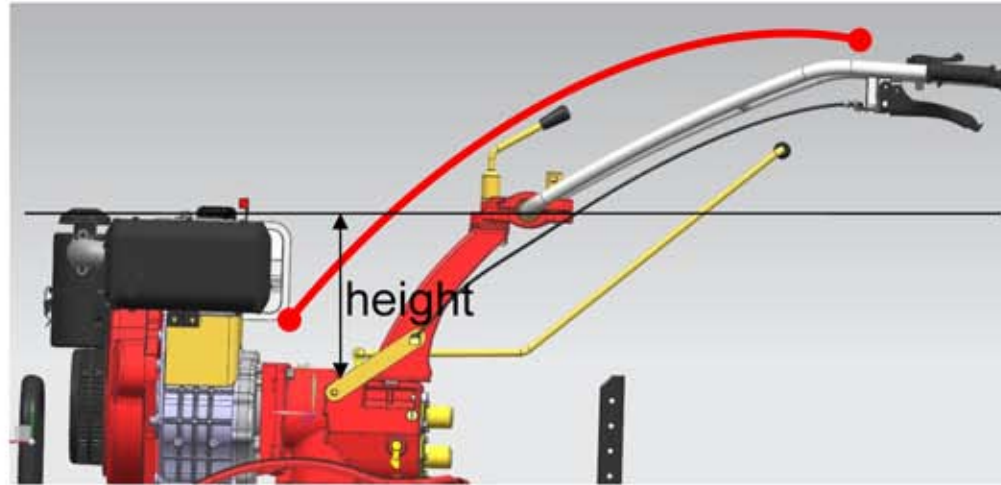
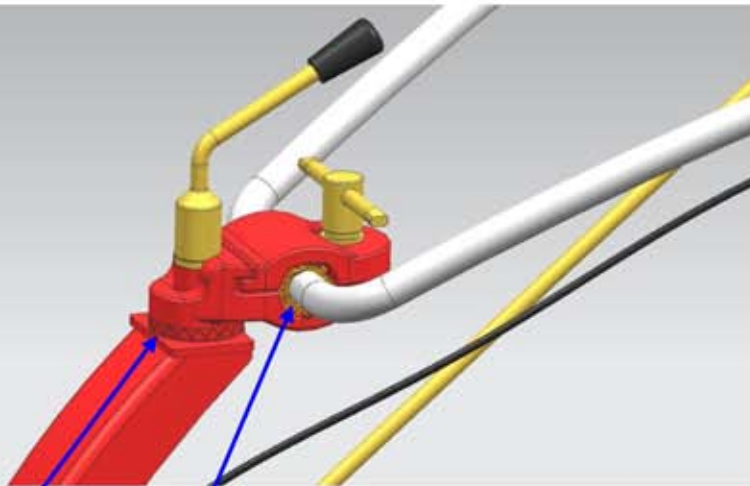


SC1000 — New Model

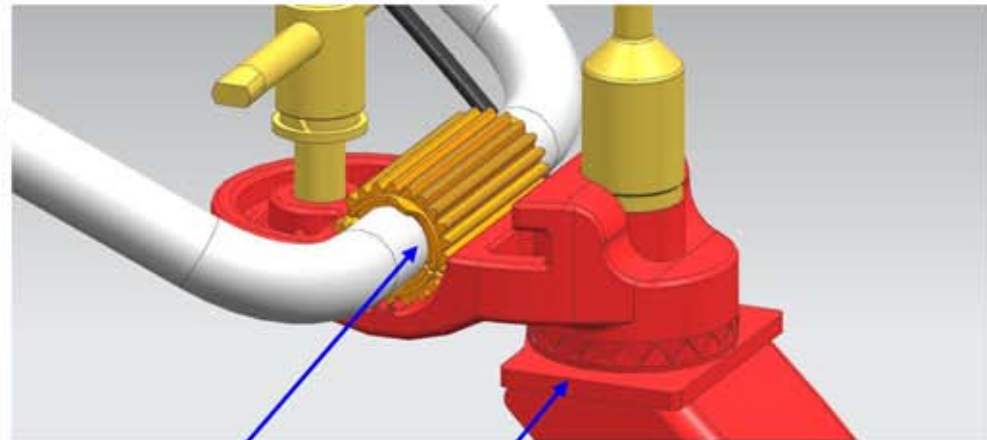
Soft shift lever at handlebar convenient for operation



- Curve handle design, natural outlook
- handlebar height enough, not stuck with battery when turn handlebar to engine side for accessories



Horizontal 360° and vertical adjusting of handlebar are operated separately, more convenience



Deep teeth gear inside to fix handlebar, much stronger and more solid

SC1000 — New Model

Stream[®]
Sign of Quality



New Gasoline Engine

- YAMAHA engineer design for us
- Rate power 4.8kw, max power 5.0kw, up to 8HP
- Different outlook of fuel tank, muffler, air cleaner

New Gearbox

- New gearbox consist of 3 parts, upper 2 parts is aluminum alloy, the lower part is cast iron
- More lightweight
- Detachable, easy for repair and maintenance

SC1000D — Can match with diesel engine

Stream[®]
Sign of Quality



Can match diesel engine of 170F of 5HP and 173F 5.5HP

SC90-III-I — Classic Model

Stream[®]
Sign of Quality

Classic handlebar with toolbox,
practical and convenient for farmer



- New Honda red color, more brightly
- White+red, new match, looks more beautiful

SC90-III-2 — Cast Iron

Stream[®]
Sign of Quality



U shape handlebar,
360° horizontally adjustable



Chromate treatment
shift lever and cover

Big coupling with 3 pin



potato harester available



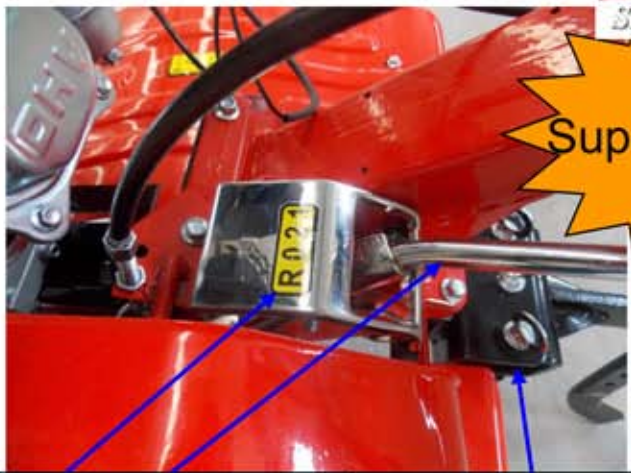
adjustable ditcher

SC90-I Multifunction Tiller

Stream[®]
Sign of Quality



- 3 pulley for connecting grass mower, grass cutter
- big fuel tank of 5 L



Superior outlook

Chromate treatment shift lever and cover Big coupling with 3 pin



Lawn mower



pesticides sprayer

SC800 — 3 forward gearbox, Chinese engine



white+red,
nice outlook



Big coupling with 3 pin

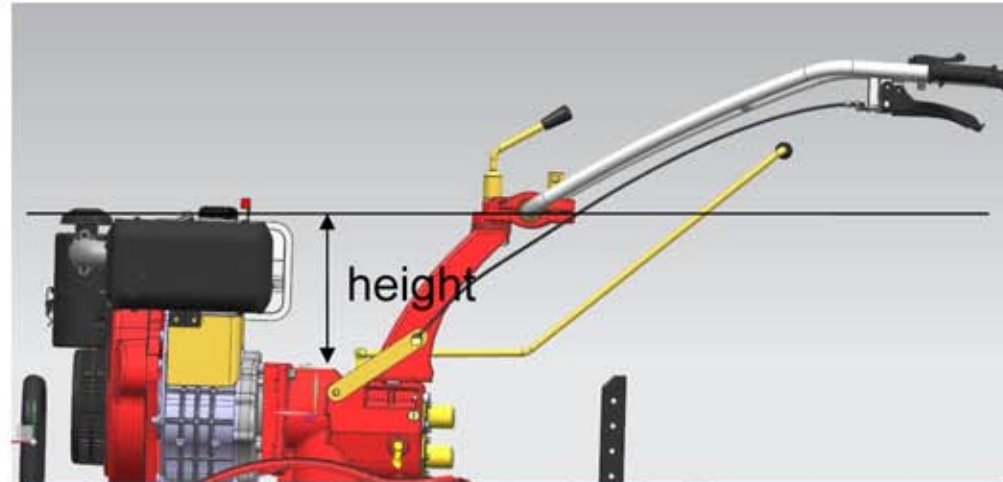


Metal handlebar for clutch handle,
emergency stop handle, and reverse handle

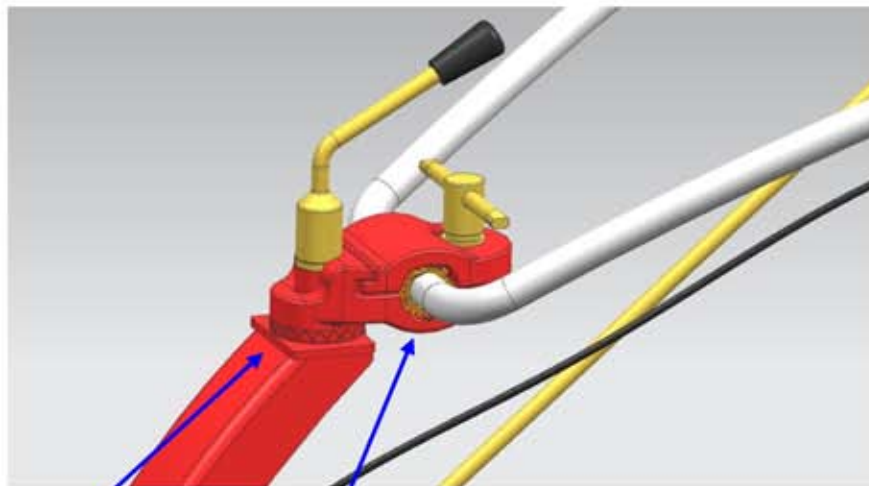
SC105G-Z, SC105-Z(-E), SC135-Z(-E)

Stream[®]
Sign of Quality

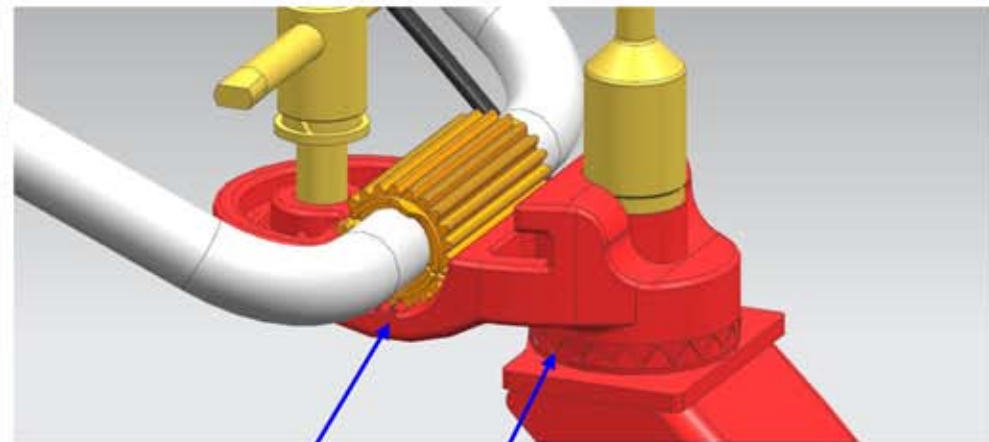
New handlebar, deep teeth gear



- Curve handle design, natural outlook
- handlebar height enough, not stuck with battery when turn handlebar to engine side for accessories



Horizontal 360° and vertical adjusting of handlebar are operated separately, more convenience



Deep teeth gear inside to fix handlebar, much stronger and more solid

SC105G-Z, SC105-Z(-E), SC135-Z(-E)

Stream[®]
Sign of Quality

Big gearbox, 6,9,10,12HP, more handlebar for option



New handlebar



Standard handlebar



Tiller with engine cover



Kama handlebar



Camouflage painting



Cattle handlebar