

www.meccalte.com

COMPANY
WITH QUALITY SYSTEM
CERTIFIED BY DNV
ISO 9001

HCP 34

24 POLI

400 Hz 2000 r.p.m.

CHARACTERISTICS

ambient 40° C

Type	KVA - cos φ 0.8 - 3 Phase continuous			EFFICIENCY		
	CL. H ($\Delta T= 125^{\circ}\text{C}$)		CL. F ($\Delta T= 105^{\circ}\text{C}$)	η %	CL. H ($\Delta T= 125^{\circ}\text{C}$)	
400 Hz						
Series Star Y Series Delta Δ	200 115	IP45	200 115	2/4	3/4	4/4
HCP 34-1S/24	75	55	65	89,9	91,9	91,6
HCP 34-2S/24	95	70	85	90,4	92,3	92
HCP 34-3S/24	125	90	110	90,8	92,7	92,4
HCP 34-1L/24	150	110	135	91,1	93,1	92,8

Type	J (Kgm ²) B3-B14 FORM	Weight MD35 (Kg)	Air Volume (m ³ /min) 2000 r.p.m.	Noise dB(A)	
				2000 r.p.m.	
				1m	7m
HCP 34-1S/24	1,4367	305	25,5	85	71
HCP 34-2S/24	1,8150	345			
HCP 34-3S/24	2,1933	395			
HCP 34-1L/24	2,5787	460			

REGULATOR		PARALLEL DEVICE	THERMAL PROTECTION			HEATERS	MECHANICAL PROTECTION			
SR7-H400B	UVR6-H400B		PTC	BIMET DEVICE	PT100		IP21	IP23	IP45	IP55
<input checked="" type="checkbox"/>	<input type="checkbox"/>	<input type="checkbox"/>	<input type="checkbox"/>	<input type="checkbox"/>	<input type="checkbox"/>	<input type="checkbox"/>	<input checked="" type="checkbox"/>	<input type="checkbox"/>	<input type="checkbox"/>	<input type="checkbox"/>

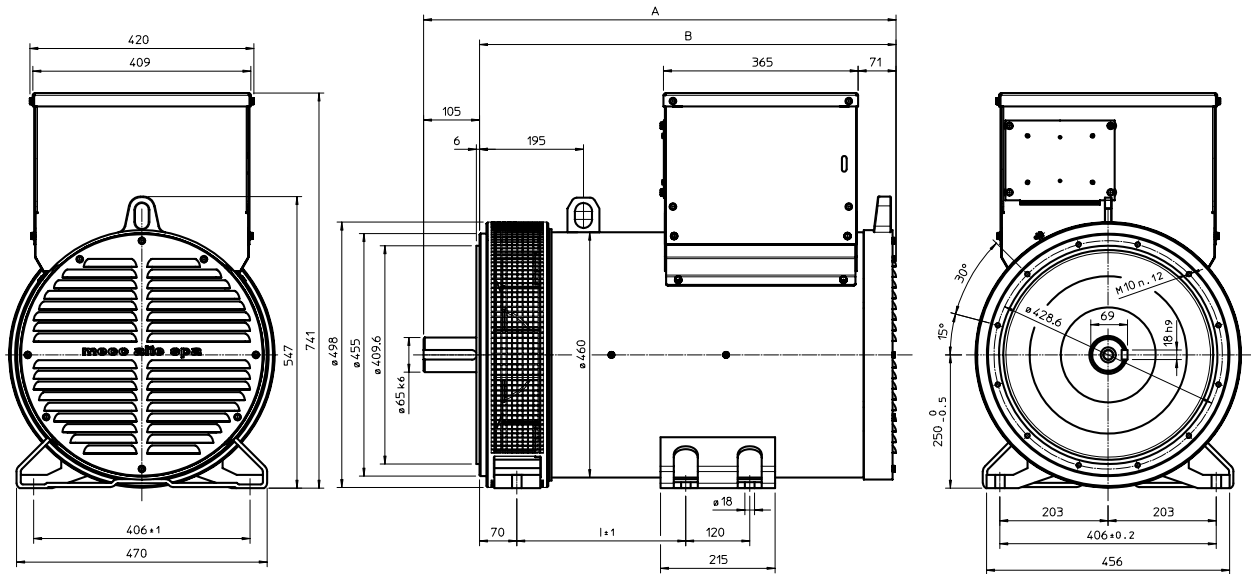
● = Standard

□ = Optional



OVERALL DIMENSIONS B3-B14

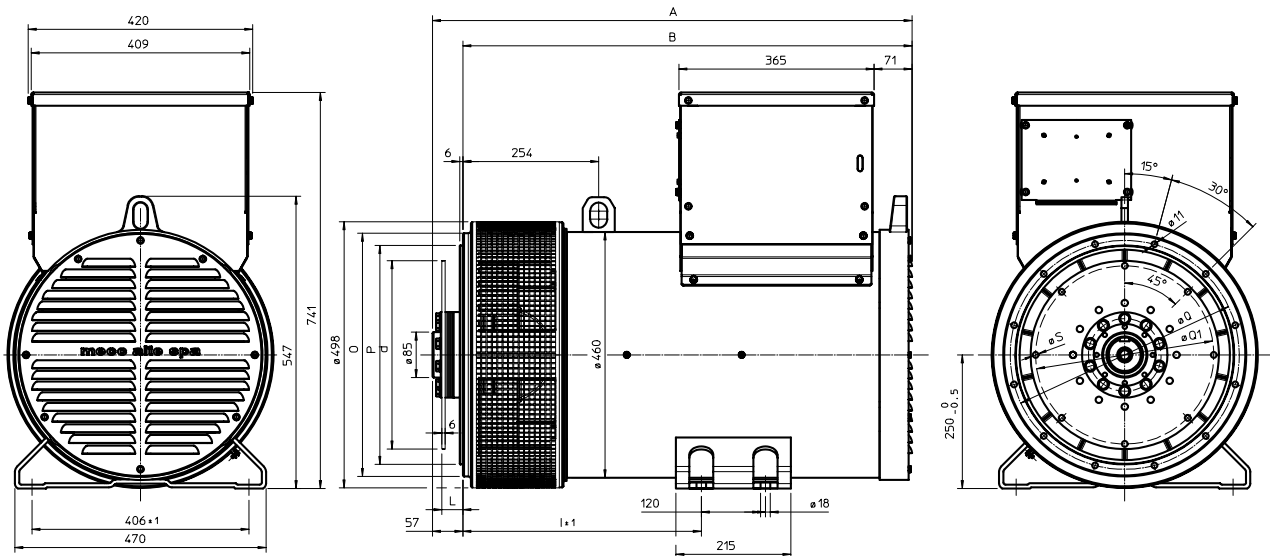
dimensions in mm



TYPE	A	B	I
HCP 34 S/24	806,5	701,5	227
HCP 34 L/24	886,5	781,5	317

OVERALL DIMENSIONS MD35 FORM

dimensions in mm



SAE N.	DISC COUPLING				
	L	d	Q1	n. fori	S
10	53,8	314,32	295,27	8	11
11 1/2	39,6	352,42	333,37	8	11
14	25,4	466,72	438,15	8	14

SAE N.	FLANGE			
	O	P	Q	n. fori
3	451	409,6	428,6	12
2	489	447,7	466,7	12
1	552	511,2	530,2	12

TYPE	A	B	I
HCP 34 S/24	817,5	760,5	356
HCP 34 L/24	897,5	840,5	446