

Self-priming centrifugal pump for domestic applications such as domestic systems where air is mixed with water. Recommended in combination with pressure set for water transfer, rainwater harvesting and garden irrigation systems.

### Construction features

**Pump body** stainless steel AISI 304

**Motor bracket** aluminum

**Impeller** Noryl®  
Noryl®, AISI 304 (100N÷140)

**Mechanical seal** ceramic-graphite-NBR

**Motor shaft** stainless steel AISI 416

**Liquid temperature** 0 - 50 °C

**Operating pressure** max 8 bar

### Motor

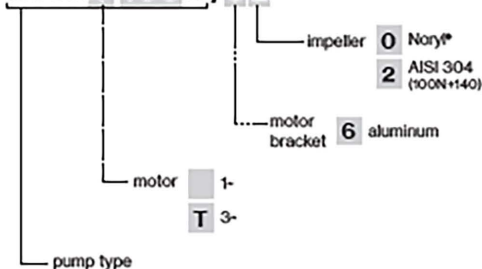
3- 230/400V - 50Hz

**2 poles induction motor**  
1- 230V - 50Hz  
(with thermal protection)

**Insulation class** F

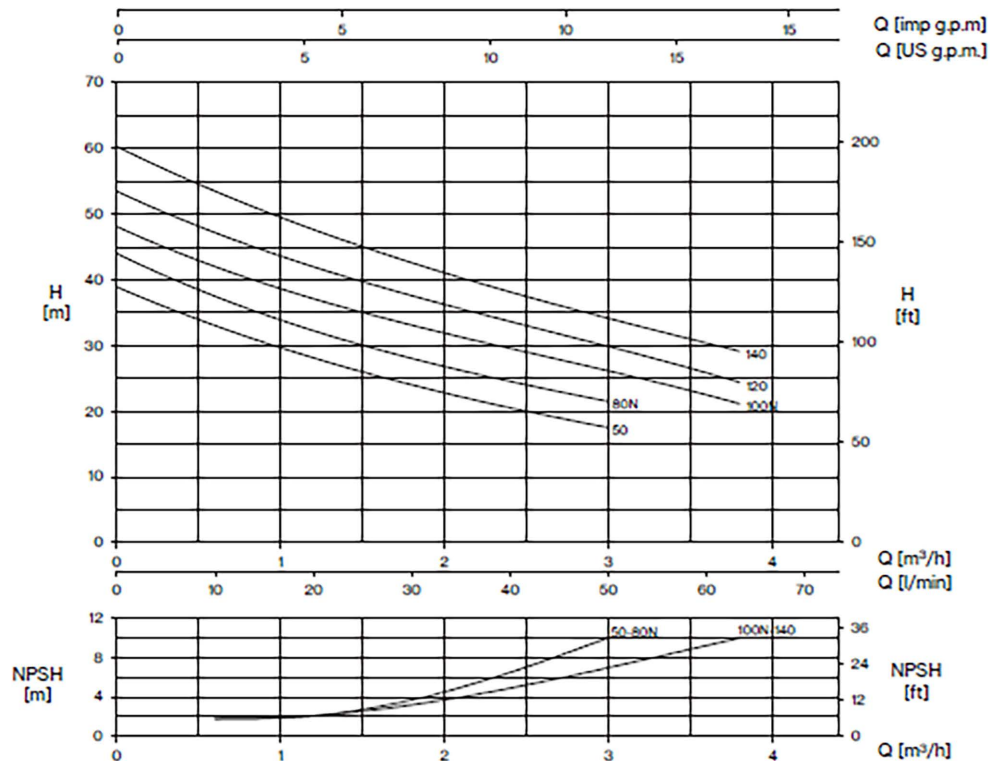
**Protection degree** IPX4

### INOXT 100N/6 2

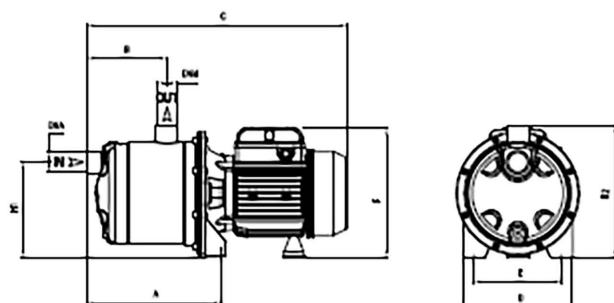


TYPE	LOTS			
	TRUCK		CONTAINER	
	PALLET (cm)	N° pumps	PALLET (cm)	N° pumps
INOX	85×110×150	60	85×110×190	80





TYPE - 50 Hz		P2		P1		CURRENT		Q (m³/h - l/min)									
1-	3-			1-	3-	1- 230V	3- 400V	0	0,6	1,2	1,8	2,4	3	3,6	3,8		
		HP	KW	KW		A		H (m)									
INOX 50	INOXT 50	0,6	0,44	0,67	0,63	2,9	1,2	38,9	33,1	28,1	24,0	20,6	17,5				
INOX 80N	INOXT 80N	0,8	0,59	0,75	0,76	3,3	1,4	44,0	37,5	32,3	28,0	24,6	21,5				
INOX 100N	INOXT 100N	1	0,74	1,04	0,92	4,7	1,7	48,0	42,3	37,0	33,0	29,6	26,2	22,7	21,0		
INOX 120	INOXT 120	1,2	0,88	1,14	1,03	5,2	1,9	53,4	47,4	41,9	37,5	33,7	29,9	26,0	24,3		
INOX 140	INOXT 140	1,5	1,1	1,3	1,23	6,0	2,5	60,2	53,6	47,8	42,4	38,0	34,4	30,5	29,0		



TYPE		DIMENSIONS (mm)													
-1	-3	A	B	C	D	E	F	H1	H2	DNA	DNM	I	L	M	Kg
INOX 50	INOXT 50	208	128	410	175	140	215	153	210	1" G	1" G	430	210	235	8,5
INOX 80N	INOXT 80N	208	128	410	175	140	215	153	210			430	210	235	9,5
INOX 100N	INOXT 100N	208	128	410	175	140	215	153	210	1" G	1" G	430	210	235	10,5
INOX 120	INOXT 120	208	128	410	175	140	215	153	210			430	210	235	11
INOX 140	INOXT 140	208	128	410	175	140	215	153	210			430	210	235	11,5